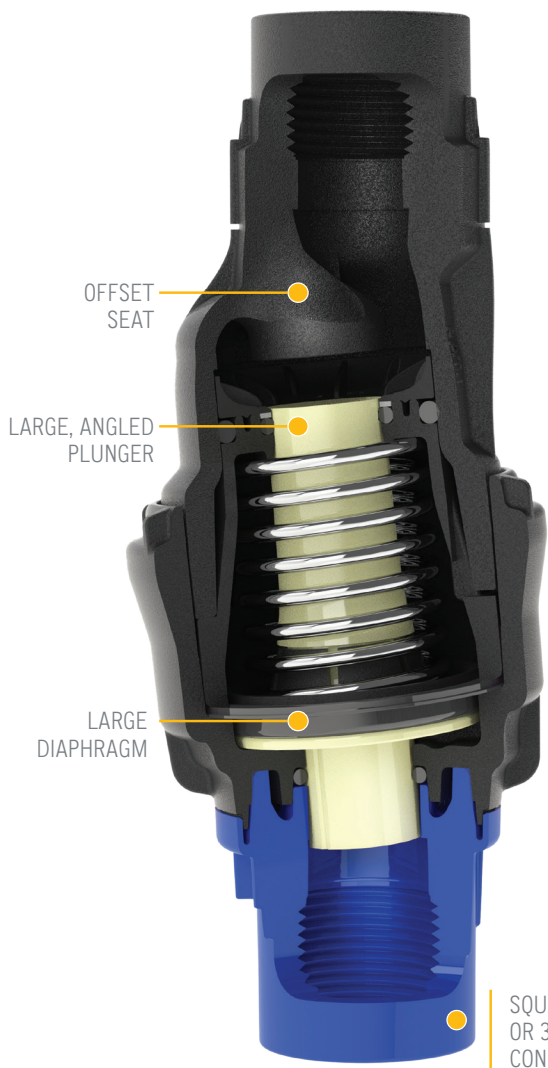




PRECISION ACCURACY IN TOUGH FIELD ENVIRONMENTS

ALL FLO

2020 NEW PRODUCT CONTEST Winner
Irrigation Association



ACCURATE

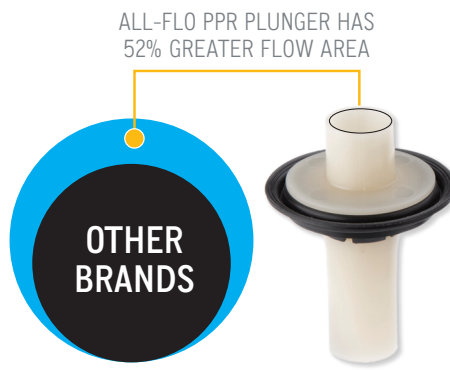
- A large diaphragm means less force is required for the regulator to make small adjustments. That means better accuracy, and in turn, more uniform irrigation.

REDUCED PLUGGING

- The offset, steep-sloped seat is out of the flow path, preventing debris hang-up.
- The patented, angled plunger minimizes restrictions.

FULL NOZZLE RANGE

- The plunger has 52% more area than other regulators, which supports a wide flow range (0.5-20 gpm)
- One regulator fits the full pivot sprinkler nozzle range.



ALL-FLO	6 PSI (0.4 bar)	10 PSI (0.7 bar)	15 PSI (1.0 bar)	20 PSI (1.4 bar)	25 PSI (1.7 bar)	30 PSI (2.0 bar)	35 PSI (2.4 bar)	40 PSI (2.8 bar)	50 PSI (3.4 bar)	60 PSI (4.1 bar)
3/4" FNPT X SQUARE THD	12616-006	12616-010	12616-015	12616-020	12616-025	12616-030	12616-035	12616-040	12616-050	12616-060
3/4" FNPT X 3/4" FNPT	12612-006	12612-010	12612-015	12612-020	12612-025	12612-030	12612-035	12612-040	12612-050	12612-060